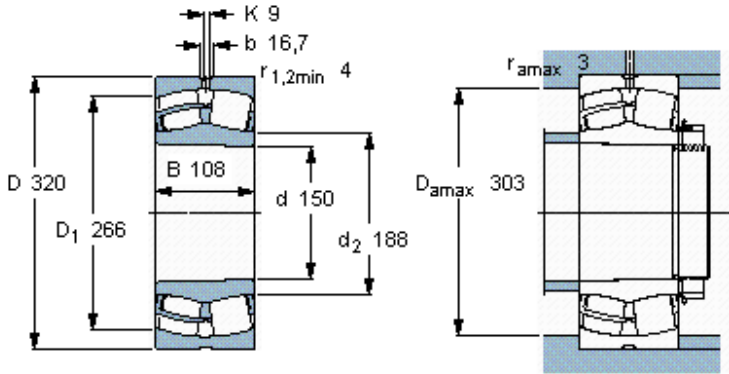


Spherical roller bearings, cylindrical and tapered bore

Principal dimensions			Basic load ratings		Speed ratings	Limiting speed	Designation
d	D	B	dynamic C	static C0	Reference speed		* SKF Explorer bearing
mm			kN		r/min		-
150	320	108	1539	1760	1600	2000	22330 CCK/W33 *



Tapered bore, taper
1: 12

Calculation factors
 e 0,35
 Y₁ 1,9
 Y₂ 2,9
 Y₀ 1,8